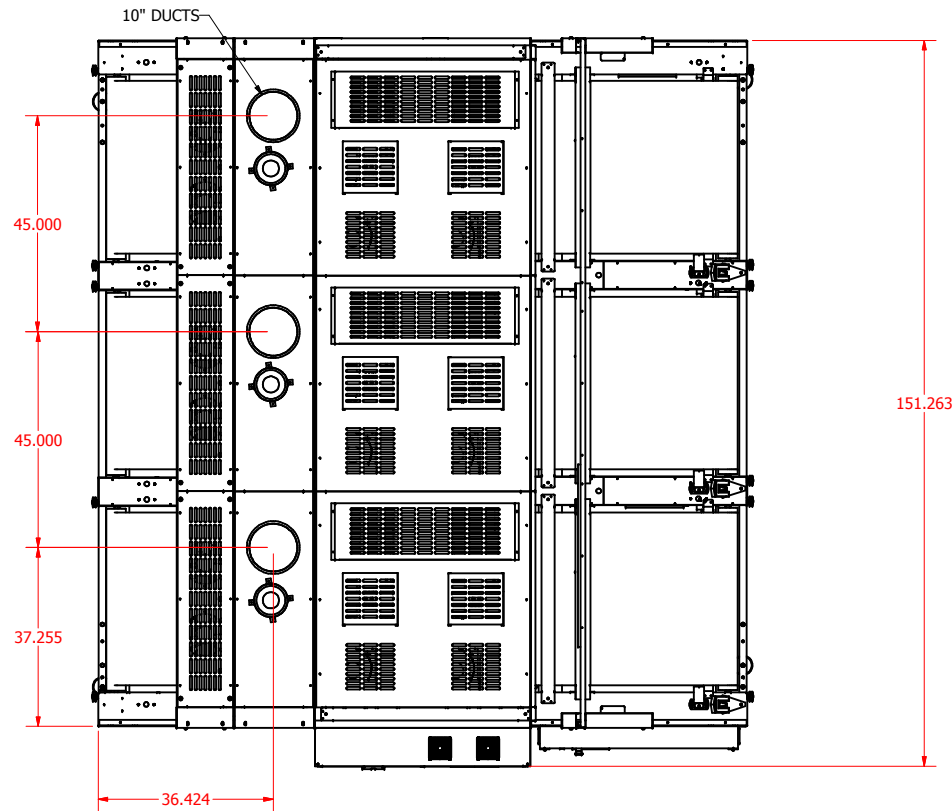


FFY 3 X 36 X 45 DIGITAL 208V ENGINEERING DRAWING



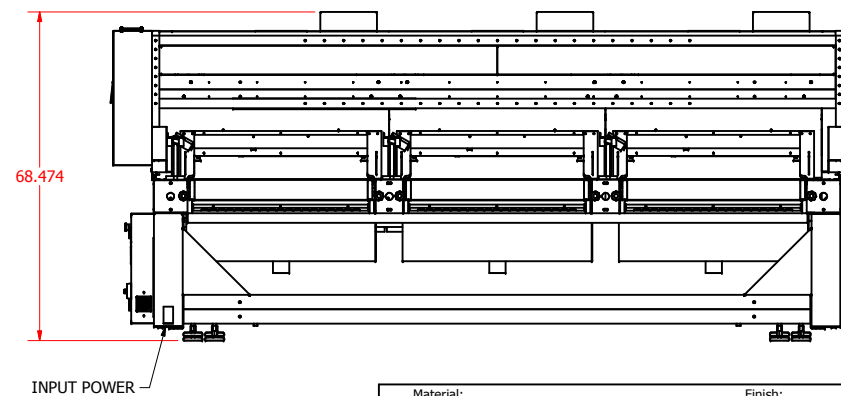
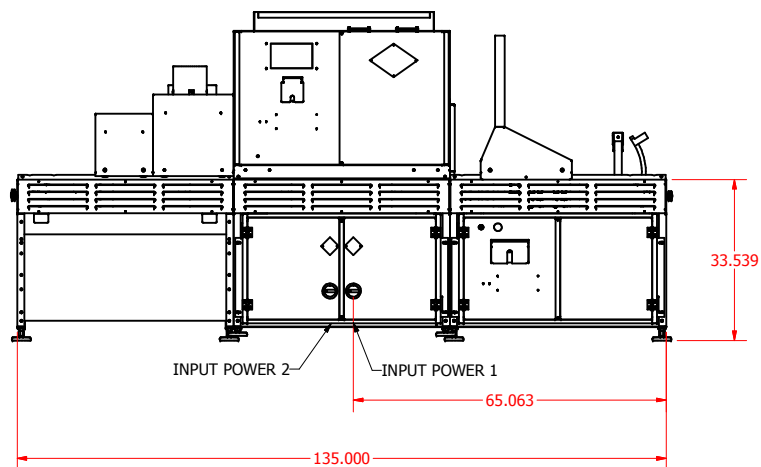
POWER REQUIERMENTS


208V
 3PH
 DROP 1 - 82FLA
 DROP 2 - 82FLA

EXHAUST SPECS

10" DUCTS
 3 - DUCTS
 300CFM
 1/4WC

SPACE REQUIERMENT
 45" AROUND MACHINE



Material:	Finish:
Unspecified Tolerances x.xxx ± 0.010 x.xxx ± 0.005	Proprietary Information of:
Remove all spatter, Burrs & Break sharp edges.	 <p>4661 Stafford Ave. S.W. Wyoming, MI 49548 Tel. (616)249-0200 Fax. (616)249-3211 www.brownmfg.net</p>
ENG: DAVID	
DATE: 10/28/2016	
SHEET: 1 of 1	
Part Number : PR10010 FFY36 X 3 X 45	