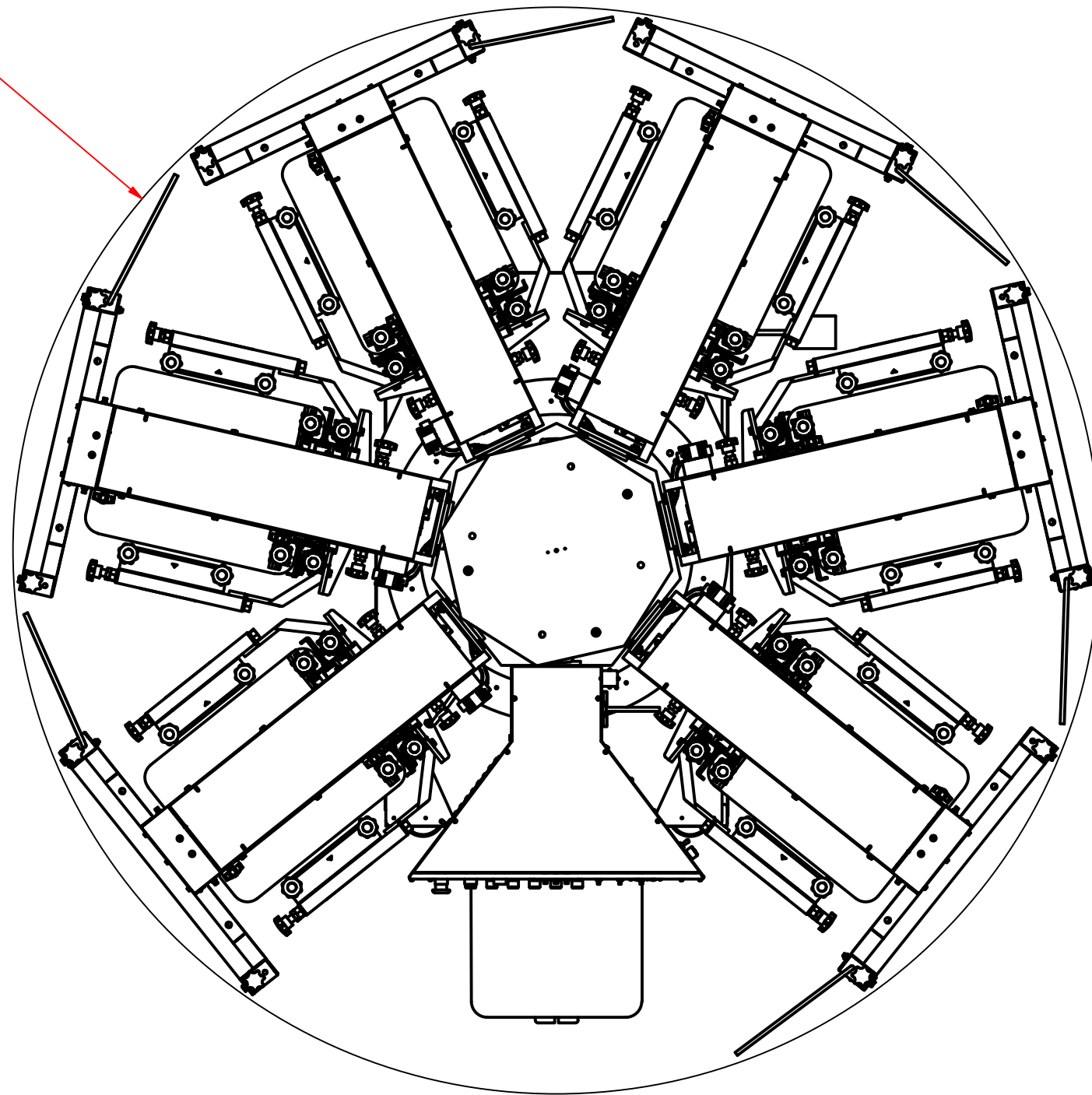


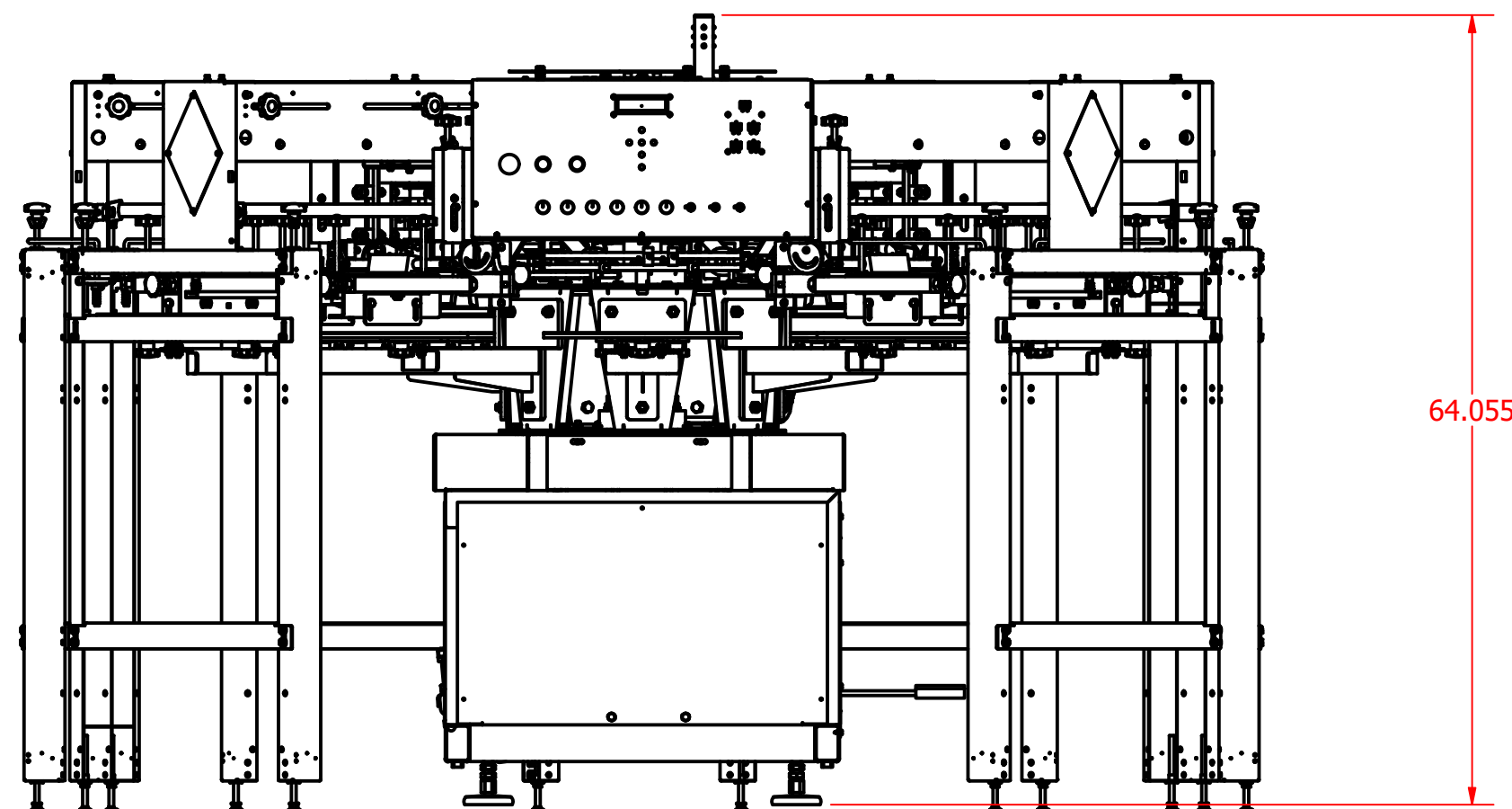
ELECTRAPRINT JUNIOR 7 STATION DRAWING

Ø101.823




POWER SPECS
120V
20A

DROP POWER
TO
THE CENTER OF
THE MACHINE



64.055

Material:	Finish:
Unspecified Tolerances x.xx ± 0.010 x.xxx ± 0.005	Proprietary Information of: 4661 Stafford Ave. S.W. Wyoming, MI 49548 Tel. (616)249-0200 Fax. (616)249-3211 www.brownmfg.net
Remove all spatter, Burrs & Break sharp edges.	
ENG:	
DATE: 12/2/2024	
SHEET: 1 of 1	
Part Number : APA67	ASSEMBLY 1HP